

Specifications

Physical Specifications (Nominal)

Dimensions

Height	55.1 in (140 cm)
Width	41.3 in (105 cm)
Depth	31.7 in (80.5 cm)
Weight (without vaporizers and gas cylinders)	353 lbs (160 kg)

Top Shelf

Weight Limit	88 lbs (40 kg)
Width	24.2 in (61.6 cm)
Depth	14.2 in (36.2 cm)

Work Surface

Width	24.2 in (61.6 cm)
Depth	15 in (38 cm)
Height	33.4 in (85 cm)

Drawers (3 same size)

Height	5.3 in (13.5 cm)
Width	17.3 in (44 cm)
Depth	15.1 in (38.5 cm)

Casters (Dual Wheel)

Diameter	6 in (15 cm)
Cable/Hose Guards	Built-in
Central Brake	Controls all 4 casters

Mounting Rails

GCX Compatible	5 rails total
----------------	---------------

Pneumatic Specifications

Pipeline Gas Supply Requirements

O ₂	40 psi – 87 psi (280 – 600 kPa)
N ₂ O	40 psi – 87 psi (280 – 600 kPa)
Air	40 psi – 87 psi (280 – 600 kPa)

Pipeline Gas Supply Connectors

Diameter indexed (DISS) threaded body as per CGA V-5

Cylinder Gas Supply Requirements

Compatibility E-Cylinder (O₂, N₂O, Air)

Cylinder Gas Supply Connectors

Pin indexed (PISS) per CGA V-1

Electrical Specifications

Power and Battery Back-up

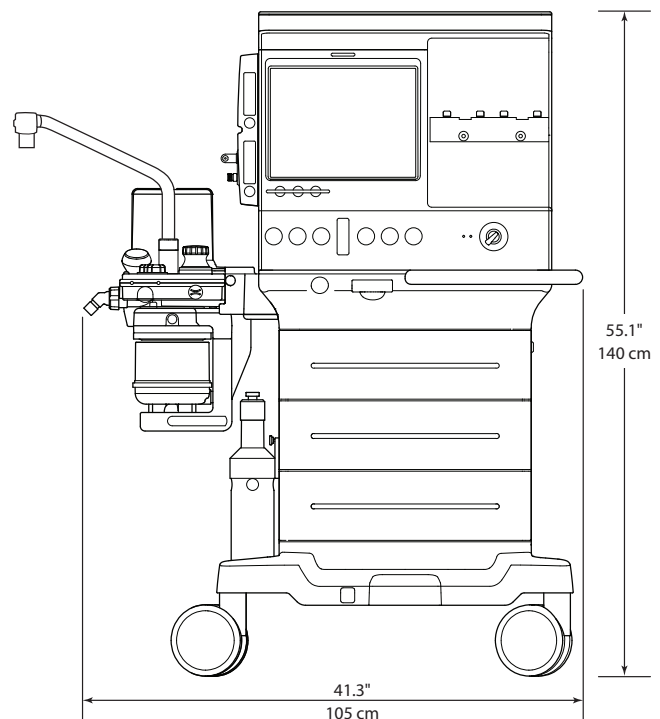
Mains Power Supply	100 – 120 VAC 50/60 Hz
Current Input	12A total max
Power Consumption	Approx. 200 VA
Power Cord	Line cord
Backup Battery	
Run Time	Approx. 150 minutes
Backup Battery	
Charge Time	8 hours max

Auxiliary Outlets

Number and Type of Outlets	Four circuit breaker (3A each)
----------------------------	--------------------------------

Environmental Specifications

Operating Temperature	50 – 104°F (+10 – +40°C)
Storage Temperature	-4 – 140°F (-20 – +60°C)
Humidity	15 – 90% RH, non-condensing (operating and storage)



Specifications

