

# Passport® 17m

## Physical Specifications

### Physical Dimensions

Monitor Size: 37 cm (H) x 40 cm (W) x 19.3 cm (D)  
14.5" (H) x 15.7" (W) x 7.6" (D)

Monitor Weight: 12 kg (26.5 lbs) without modules, batteries, accessories and recorder

### Electrical Ratings

Power Supply: AC power, battery

**AC Mains Power Source**

AC Power: 100 to 240 VAC (±10%)

Current: 2.8 to 1.6 A

AC Power Input Frequency: 50/60 Hz (±3Hz)

### Environmental Conditions

**Temperature Range**

Operating: 0°C to 40°C

Non-operating (storage): -20°C to 60°C

### Humidity Range

Operating: 15% to 95%, non-condensing

Non-operating (storage): 10% to 95%, non-condensing

### Barometric

Operating: 427.5 to 805.5 mmHg

Non-operating (storage): 120 to 805.5 mmHg

### Monitor Interface

Power: 1 AC power input connector

Wired Network: 2 RJ45 connector, 100 Base-TX, IEEE 802.3

USB: Up to 10 connectors, USB 1.1

SMR Connector: 1 connector, not standard USB

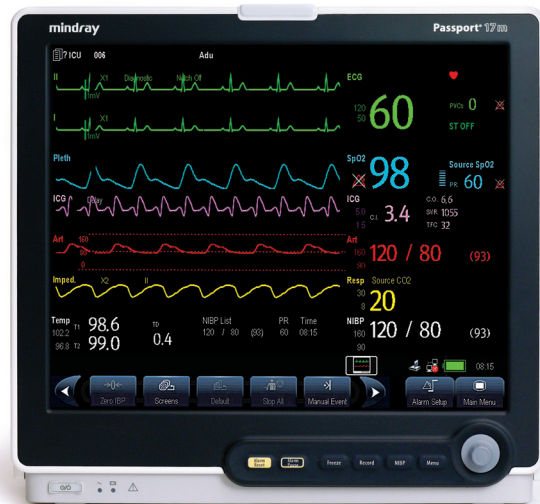
CF: 50-pin CF revision 2.0 connector

Video Interface: 1 connector, standard DVI-D

Nurse Call: 1 connector, standard BNC

Equipotential Grounding Terminal: 1 terminal

Micro-D Connector: 1 connector, standard Micro-D



### Battery

Type: Chargeable Lithium-Ion, 11.1 VDC, 4.5 Ah

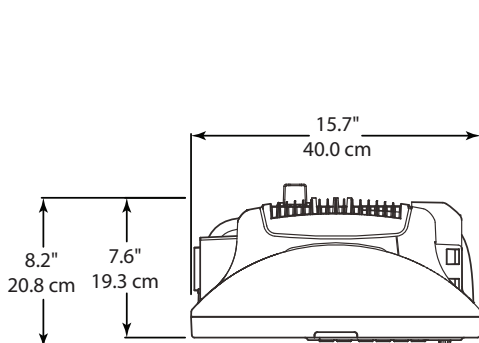
Number of Batteries: 2

Run Time: 120 minutes when powered by two new fully-charged battery (25°C, SpO<sub>2</sub>, ECG, disconnected from Temp cable, Auto NIBP measurements at intervals of 15 minutes)

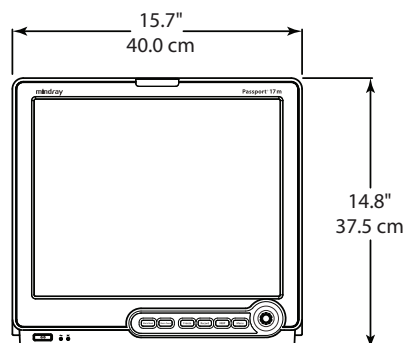
Charge Time: Less than 5 hours to 90%, and less than 6 hours to 100% when the monitor is off.

Shutdown Delay: At least 5 min (after a low battery alarm first occurs)

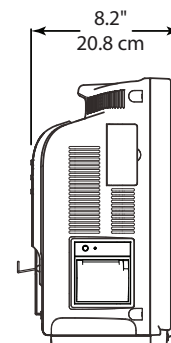
Top



Front



Side



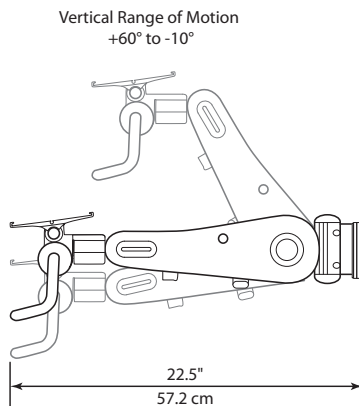
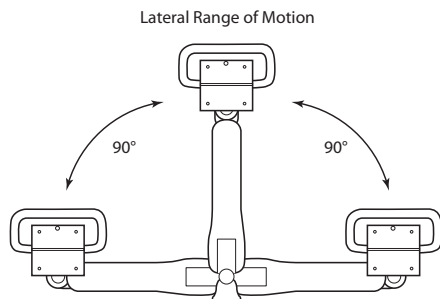
# Passport® 17m

## Physical Specifications

### Mounting Solutions

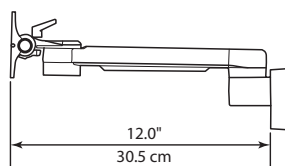
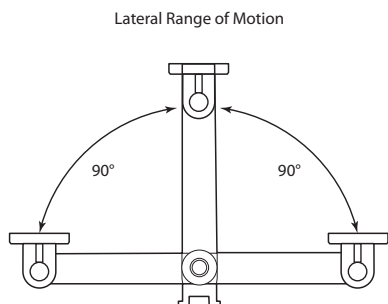
#### Variable Height Mount (VHM)

Moment Load: 40 lbs (18.1 kg)



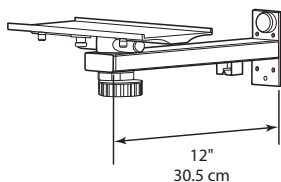
#### Pivot Arm Wall Mount

Moment Load: 60 lbs (27.2 kg)



#### Wall Mount

Moment Load: 80 lbs (36.3 kg)



Mindray DS USA, Inc.

800 MacArthur Blvd., Mahwah, NJ 07430

Tel: 800.288.2121 Tel: 201.995.8000 Fax: 800.926.4275 [www.mindray.com](http://www.mindray.com)

©2015 Mindray DS USA, Inc.

Mindray® is a registered trademark of Shenzhen Mindray Bio-Medical Electronics Co., Ltd.

06/15 P/N: 0002-08-8018 Rev A

**mindray**  
NORTH AMERICA