

BeneVision N1 MONITOR / MODULE

Physical Specifications

N1 Physical

Dimension:	4.0" (H) x 5.9" (W) x 3.2" (D) 10.3 cm (H) x 15.0 cm (W) x 8.1 cm (D)
Weight:	2.0 lb (0.95 kg) without integrated CO ₂ 2.9 lb (1.3 kg) with integrated CO ₂

Interfacing

Main Unit

DC Power Input:	1
Defib Sync and Analog Out:	1
Multi-pin Connector:	1

Dock

AC Power Connector	1
RJ45 Network Connector, 100 Base-TX, IEEE 802.3	1
VGA Connector	1
USB 2.0 Connector	2
Host Monitor Connector	1
Equipotential Terminal	1

Modular Rack Slot

N1:	2 slots
Extended Module:	1 slot
Barcode Scanner:	Support 1D and 2D barcode via dock
Keyboard and Mouse:	Support wire and wireless type via dock
Network Printer:	Support

Power Requirements

N1 Main Unit

Input:	12 VDC (±10%), 2 A, 1.0 A to 0.6 A
--------	------------------------------------

AC Adapter

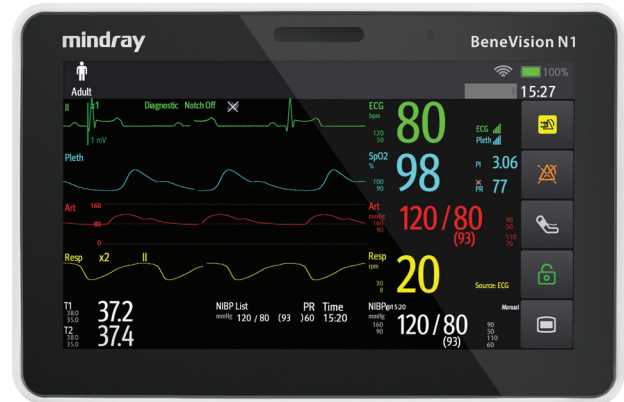
Input:	100 to 240 VAC (-15%, +10%), 50/60 Hz
Output:	12 VDC (±10%), 2.5 A

Docking Station

Input:	100 to 240 VAC (±10%), 50/60 Hz
Input Current:	0.65 A to 0.35 A

Battery

Type:	Rechargeable lithium-ion
Capacity:	2500 mAh, 7.56 VDC
Number of Battery:	2 without internal CO ₂ 1 with internal CO ₂
Run Time:	When powered by two new fully-charged batteries at 25°C±5°C with 5-lead ECG, SpO ₂ , and auto NIBP measurements every 15 min, and factory default screen brightness, Wi-Fi disabled. >8 hr without internal CO ₂ When powered by one new fully-charged battery at 25°C±5°C with 5-lead ECG, SpO ₂ , IBP, CO ₂ sampling, and auto NIBP measurements every 15 min, and factory default screen brightness, Wi-Fi enabled. >3 hr with internal CO ₂
Recharge Time:	When the monitor is off: 6 hours to 90% Without internal CO ₂ module 3 hours to 90% With internal CO ₂ module



Environmental Conditions

Operating Temperature

0°C to 40°C

Main unit, Docking station, Modular rack, Transport dock, AC adapter and external Microstream CO₂ module
External Sidestream CO₂ module

5°C to 40°C

Storage Temperature

-30°C to 70°C

Main unit, Transport dock, AC adapter

-20°C to 60°C

Docking station, Modular rack, Microstream/Sidestream CO₂

Operating Humidity

5 to 95% (non condensing)

Main unit, Transport dock, AC adapter

15 to 95% (non condensing)

Docking station, Modular rack, Microstream/Sidestream CO₂

Storage Humidity

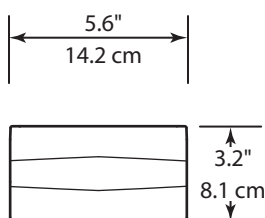
5 to 95% (non condensing)

Main unit, Transport dock, AC adapter

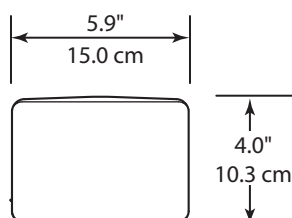
10 to 95% (non condensing)

Docking station, Modular rack, Microstream/Sidestream CO₂

N1 Top



N1 Front



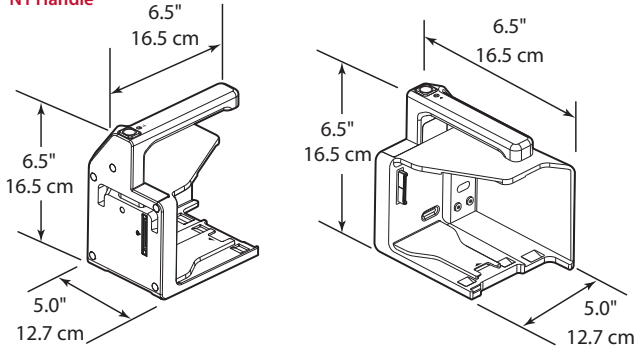
N1 Side



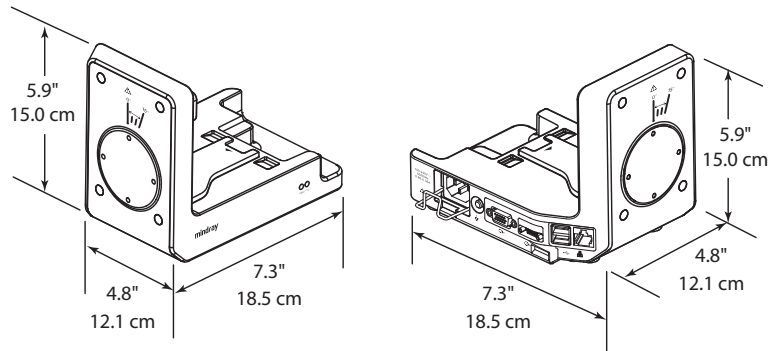
BeneVision N1 MONITOR / MODULE

Physical Specifications

N1 Handle

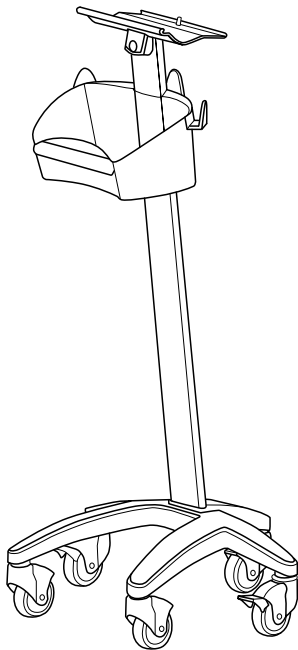


N1 Docking Station



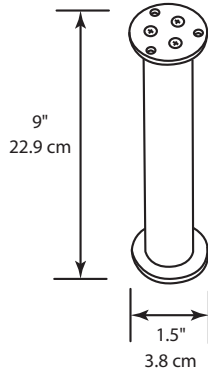
Rolling Stand

Dimension: 47" (H) x 27" (W) x 27" (D)
 119.4 cm (H) x 68.6 cm (W) x 68.6 cm (D)
 Moment Load: 35 lbs (15.9 kg)
 Max Head Tilt: 10 degrees



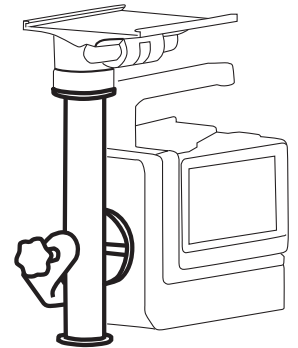
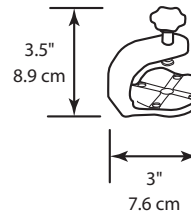
Down Post

Weight: 2 lbs (0.91 kg)



Pole Mount Clamp

Weight: 8 oz (0.23 kg)

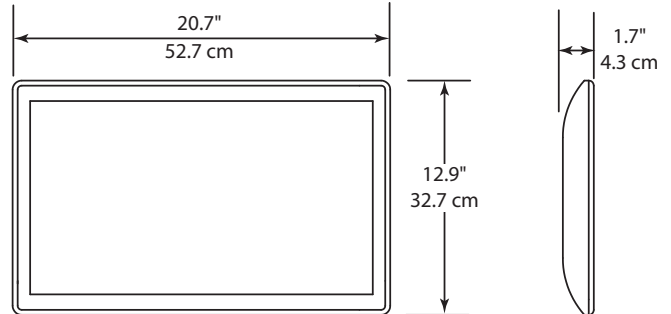


BeneVision N1 MONITOR / MODULE

Physical Specifications

22" Display

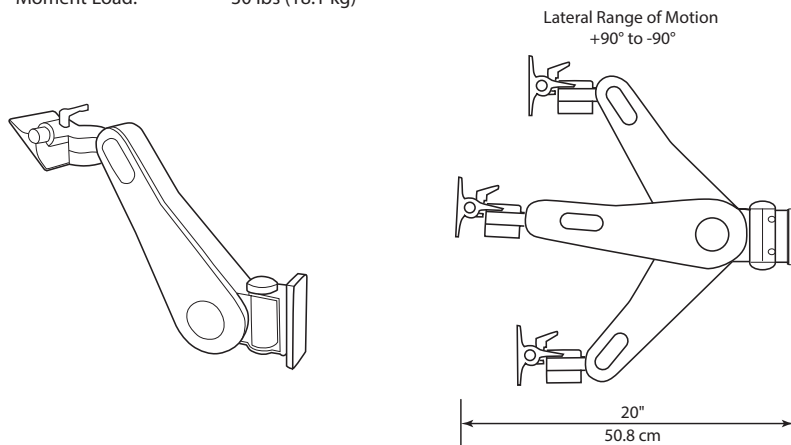
Style:	21.5" (diagonal) TFT active matrix LCD
Touch Technology:	TouchPro PCAP
Configuration:	Desktop or wall mount (VESA-100 mm)
Dimensions (H x W x D):	12.9" x 20.74" x 1.7" (32.7 x 52.7 x 4.3 cm)
Weight:	11.5 lb (5.2 kg)
Spacing from Rear:	6" (15.2 cm) min
Power Supply	
Display:	12 VDC, $\pm 5\%$
External Power Supply:	100-240 VAC, 50/60 Hz, 1.0 A Coaxial power jack (2.1 mm pin outer diameter, 6.4 mm barrel diameter)
Power Dissipation:	48 W max
Certifications:	UL, CUL, FCC, CE, VCCI, KCC, BSMI, CB, RCM, EAC, CoC



Mounting Solutions

Variable Height Mount (VHM) for flat panel display

Moment Load: 30 lbs (18.1 kg)



**22" Display with N1
Wall Mount Solution**

Pivot Arm Wall Mount

Moment Load: 60 lbs (27.2 kg)

