

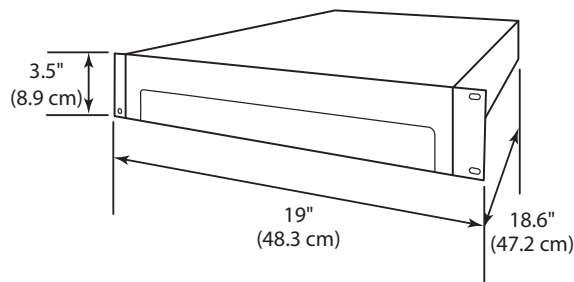
BeneVision SYSTEM COMPONENTS

Physical Specifications

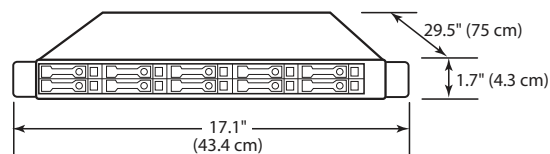
Rackmount Server Hardware

BeneVision DMS and eGateway Integration Solution

Configuration:	2U
System:	KISS 2U V2 KTQ87
Product Line:	KISS 2U V2
Dimensions (H x W x D):	3.5" x 19" x 18.6" (8.9 x 48.3 x 47.2 cm)
Weight:	17.6 lb (8 kg)
Interfaces (Rear):	2x GB LAN, 2x USB 3.0, 3x display port 2x RS232, HD audio
Power Supply:	2U 250 W redundant power supply, supports hot swap
CPU Board:	KTQ87/Flex
Chipset:	Q87
DMS Server Capacity:	32 patient sectors
eGateway Capacity:	200 patients
RAM:	DDR3, 4 GB, 1333 MHz
Processor:	i5-4570S 2.90 GHz
Hard Disk:	Dual 500 GB, RAID 1
Cooling:	Two hot swap chassis fans, air filter
Temperature	
Operating:	32°F to 122°F (0°C to 50°C)



Enterprise 1U Rackmount



Rackmount Server Hardware

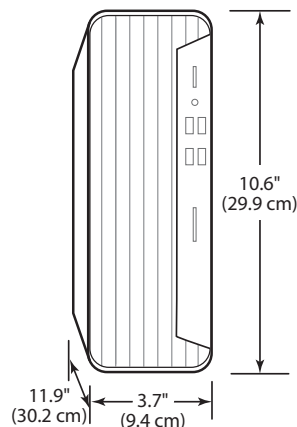
BeneVision DMS Enterprise Server

Configuration:	Enterprise 1U
System:	HPE DL 360 Gen10 4LFF
Dimensions (H x W x D):	1.7" x 17.1" x 29.5" (4.3 x 43.4 x 75 cm)
Weight:	27.01 lb
Interfaces (rear):	USB (2), 1 GB Ethernet (4), 1 management port, 1 VGA
Power Supply:	Dual 500 W hot swap
RAM:	16 GB
Processor:	E5-2620v4
Hard Disk:	2 TB RAID 1+0
Patient Capacity:	128 patient sectors
Temperature	
Operating:	50°F to 95°F (10°C to 35°C)

DMS Tower Server Hardware

BeneVision DMS

Configuration:	Tower
System:	ProDesk 400 G7 SFF
Dimensions (H x W x D):	10.6" x 3.7" x 11.9" (29.9 x 9.4 x 30.2 cm)
Weight:	8.6 lb (3.9 kg)
Interfaces (rear):	USB (10), RCA (2), 1 GB Ethernet (2), Display Port (2), Serial Port (1), HDMI (1)
Power Supply:	180 W
RAM:	4 GB
Processor:	Intel KBL Core I5
Hard Disk:	(1) 256 GB SSD (1) 1 TB HD
Patient Capacity:	32 patient sectors
Temperature	
Operating:	50°F to 95°F (10°C to 35°C)



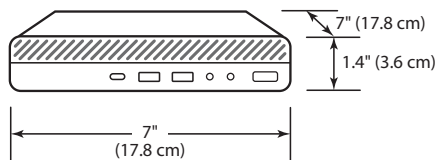
BeneVision SYSTEM COMPONENTS

Physical Specifications

Mini PC Hardware

BeneVision DMS WorkStation

Configuration:	Mini
System:	ProDesk 600 G4 PC
Dimensions (H x W x D):	1.4" x 7" x 7" (3.6 x 17.8 x 17.8 cm)
Weight:	2.7 lb (1.2 kg)
Interfaces (rear):	USB (7), RCA (2), 1 GB Ethernet, Display Port (3)
Power Supply:	65 W
RAM:	4 GB
Processor:	Intel 7500 7Gen Core i5-4C
Hard Disk:	SSD 128 GB
Patient Capacity:	32 patient sectors
Temperature	
Operating:	50°F to 95°F (10°C to 35°C)

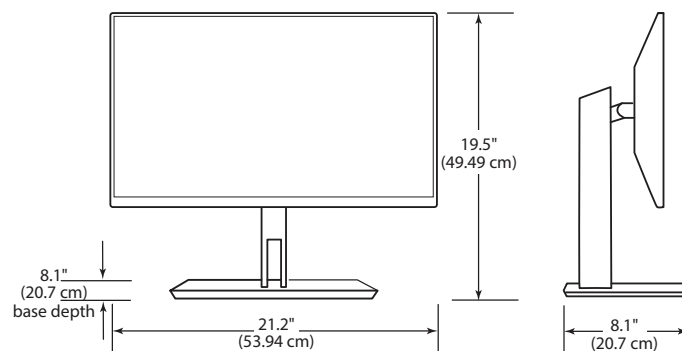


BeneVision DMS Widescreen Display

BeneVision DMS WorkStation Tower Server

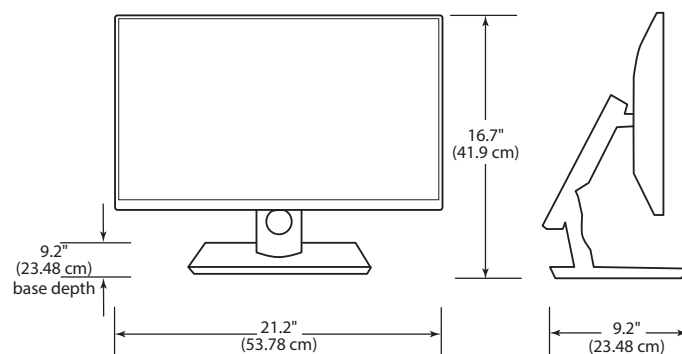
Configuration: DMS WorkStation

System:	E24t G4FHD Touch Monitor
Viewable Image Area:	23.8"
Dimensions (H x W x D):	19.5" x 21.2" x 8.1" (49.49 x 53.94 x 20.7 cm) (w/stand) 12.7" x 21.2" x 1.8" (32.33 x 53.94 x 4.7 cm) (w/o stand)
Aspect Ratio:	16:9
Weight:	12.8 lb (5.8 kg)
Interfaces (rear):	1 VGA; 1 USB Type-B; 1 HDMI 1.4; 1 DisplayPort™ 1.2; 4 USB-A 3.2 Gen 1
Power Supply:	100 -240 VAC, 50/60 Hz
Max. Consumption:	52 W
Temperature	
Operating:	45°F to 95°F (5°C to 35°C)



Configuration: DMS WorkStation

System:	P2418HT Touch Monitor
Viewable Image Area:	23.8"
Dimensions (H x W x D):	16.7" x 21.2" x 9.2" (41.96 x 53.78 x 23.48 cm) (w/stand) 12.6" x 21.2" x 2.1" (32.14 x 53.78 x 5.41 cm) (w/o stand)
Aspect Ratio:	16:9
Weight with Stand:	16.35 lb (7.42 kg)
Interfaces (rear):	DisplayPort™, VGA, HDMI, Audio line-out, USB 3.0 connector, BC 1.2, USB 2.0
Power Supply:	100 -240 VAC, 50/60 Hz
Max. Consumption:	51 W
Temperature	
Operating:	32°F to 104°F (0°C to 40°C)

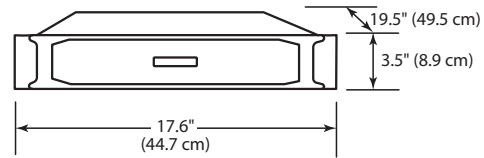


BeneVision SYSTEM COMPONENTS

Physical Specifications

Storage Area Network HPE MSA 2050 SFF SAN

Dimensions (H x W x D):	3.5" x 17.6" x 19.5" (8.9 cm x 44.7 cm x 49.5")
Weight:	38.7 lb (17.6 kg)
Power Supply:	Dual Hot Swap 500w
Ethernet:	Small SAN 4 Medium SAN 4 Large SAN 8
Hard Disk:	Small SAN 4*1.2 TB (128 patients) Medium SAN 8*1.2 TB (256 patients) Large SAN 16*1.2 TB (512 patients)

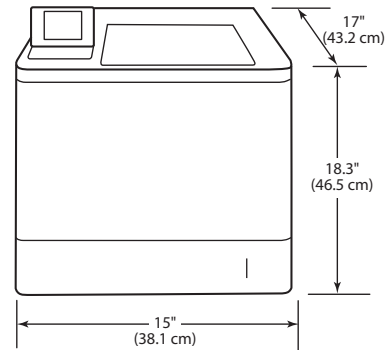


Temperature

Operating: 41°F to 104°F (5°C to 40°C)

HP LaserJet Enterprise M608n Printer

Dimensions (H x W x D):	18.3" x 15" x 17" (46.5 x 38.1 x 43.2 cm)
Weight:	47.7 lb (21.6 kg)
Performance	
Printing Technology:	Monochrome laser
Resolution:	1200 x 1200 dpi maximum
Paper Handling	
Paper Capacity:	Input: 550 sheets Output Bin: 500 sheet



Power

Power Supply: Internal 115 volt
Power Requirements: 100V to 127V @ +/- 10% minimum of 90 V 50 – 60 Hz

Temperature

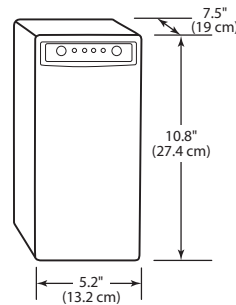
Operating: 59°F to 80.6°F (15°C to 27°C)

Humidity

Operating: 30 to 70% RH

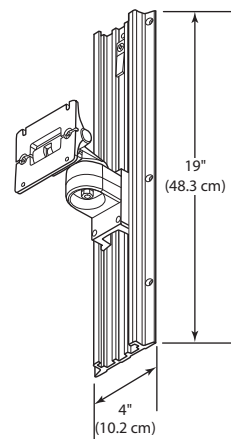
Uninterrupted Power Supply (UPS)

Model:	Tripp-Lite OMNIVS800
Dimensions (H x W x D):	10.8" x 5.2" x 7.5" (27.4 x 13.2 x 19 cm)
Weight:	15.9 lb (7.2 kg)
Full Load Runtime	3.5 minutes (475w)
Half Load Runtime	11.5 minutes (240w)
DC System Voltage (VDC)	12



Flush Wall Mount Channel (optional)

Dimensions (H x W):	19" x 4" (48.3 x 10.2 cm)
Weight Load:	30 lb (13.6 kg)
Moment Load:	80 lb (36.3 kg)
Bottom Edge from Floor:	52" min (132.1 cm) to 56" max (142.2 cm)



Physical Specifications

AP70

The AP70 is used to bridge the telemetry monitor to the wired network.

Size (H x W x D):	22.5 cm x 22.5 cm x 4.0 cm 8.8" x 8.8" x 1.6" (without wall-mount bracket and antennas)
Weight:	0.19 lb (0.85 kg) (without batteries and wall mount bracket)
LED Power LED:	1 (one color: green)
Status LED:	1 (two colors: red, green)
RF LED:	1 (two colors: blue and green)
Network Port:	One RJ45 port, compatible with 100Base-TX Standard, supporting POE
Reset Button:	1

AC70

The AC70 is the wireless controller which manages communications between the AP70 and TM70. The AC70 also allows configuration, management, status reporting, and troubleshooting of the wireless network.

Configuration:	1U
System:	HPE DL 360 Gen10 4LFF
Size (H x W x D):	4.3 cm x 43.4 cm x 75 cm 1.7" x 17.1" x 29.5"
Weight:	27.01 lb (12.2 kg)
Interfaces (rear):	USB (2), 1 GB Ethernet (4), 1 management port, 1 VGA
Power Supply:	Dual 500 W hot swap
RAM:	16 GB
Processor:	E5-2620v4
Hard Disk:	2 TB RAID 1+0

Temperature

Operating:	50°F to 95°F (10°C to 35°C)
------------	-----------------------------

SYNC70

The SYNC70 is used to synchronize time between AP70s and TM70s to reduce wireless interference.

Size:	18.5" x 9.6" x 1.9" (47.0 cm x 24.5 cm x 5.0 cm)
Weight:	5.51 lb (2.5 kg)

LED

Power LED:	1 (one color: green)
Status LED:	1 (two colors: red and green)
CLK (Main-Backup) LED:	1 (one color: green)
Network port:	Two RJ45 ports, compatible with 100Base-TX standard
AC Power Input Port:	1, supporting voltage
Input:	100-240 VAC+-10%
Frequency Input:	50 Hz (+-3 Hz) or 60 Hz (+-3 Hz)
Reset Button:	1

Equipment Racks

At least one (1) full size equipment rack required

Minimum of 2 ft of clearance on all sides required

Requires 30 A circuit with NEMA L5-30R (30A Twist-Lock) receptacle and two (2) 110V AC outlets connected to 20 A circuit

Heat Dissipation:	9,000 BTU max
Operating Temperature:	50°F to 78°F (10°C to 25.5°C)

27U Equipment Rack

Dimensions (H x W x D):	66" x 23" x 40" (167.6 x 58.4 x 101.6 cm)
Heat Dissipation:	6,000 BTU max

43U Equipment Rack

Dimensions (H x W x D):	80" x 23" x 40" (203.2 x 58.4 x 101.6 cm)
Heat Dissipation:	8,000 BTU max

1	1U	1 2 3 4 5 6 7 8 9 10 11 12 13 14 15 16 17 18 19 20 21 22 23 24	
2	1U	1 2 3 4 5 6 7 8 9 10 11 12 13 14 15 16 17 18 19 20 21 22 23 24	
3	2U		
4		1 2 3 4 5 6 7 8 9 10 11 12 13 14 15 16	
5			
6			
7			
9			
10	2U	Central Station (CPU)	Central Monitor Input (C-LAN)
11			Central Network Input (E-LAN)
12	2U	Wireless Server	Patient Network Input (E-LAN) LVDS Input
13			
14	1U	AC70	
15	1U	Sync70	
16			
17	1U	KVM Display	
18	1U	Power Strip	
19			
20	2U	eGateway	
21			
22			
23	5U	Shelf	Fixed or Sliding
24	2U	UPS	
25			
26			
27			